

MOISTURE GUARD *Plus*® Application

FOR ROOF DECKS (RAKES AND EAVES)

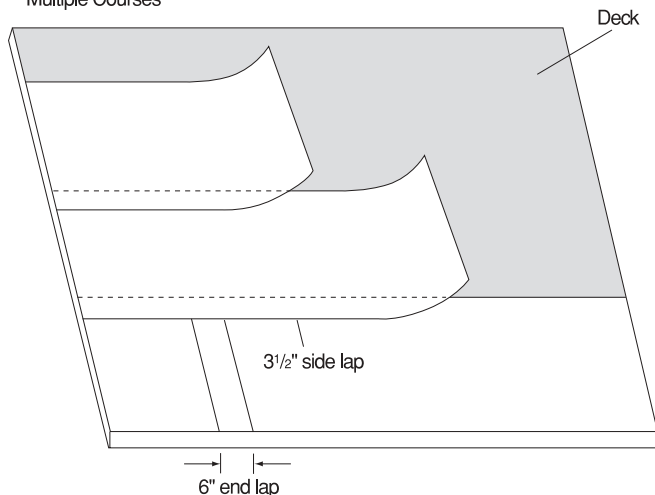
To begin, remove any dust, dirt, loose nails or other protrusions from the deck of new roofs. Remove all shingles, roofing felt and nails from the deck of existing roofs. Sweep thoroughly to remove any dust and dirt. Apply Moisture Guard Plus only in fair weather when air and surface temperatures are above 35° F. Apply sheet from low to high point in shingle fashion, so that laps will shed water. Overlap edge seams 3-1/2". End seams should be overlapped 6" and staggered. For wrinkle-free application, unroll and cut the membrane into 10- to 15-foot lengths. Align the membrane on the lower edge of the roof. Remove the release film from the membrane then press the membrane into place. Roll lower edges firmly with a wallpaper roller or other hand roller. For ice dam protection, Moisture Guard Plus must be applied to reach a point above the highest expected level of ice dams (minimum application at least to a height of 24" beyond the interior wall line).

FOR VALLEYS AND RIDGES

Cut membrane into 4- to 6-foot lengths. Peel the release film and center sheet over valley or ridge. Drape and press sheet into place, working from the center of the valley or ridge outward in each direction. For valleys, apply the membrane starting at the lowest point and work upward. Overlap all sheets a minimum of 6 inches. Moisture Guard Plus should be used on "closed valley" applications only. Moisture Guard Plus membrane should not be left permanently exposed to the weather. It must be covered by shingles or other roofing materials.

MOISTURE GUARD PLUS FIELD APPLICATION

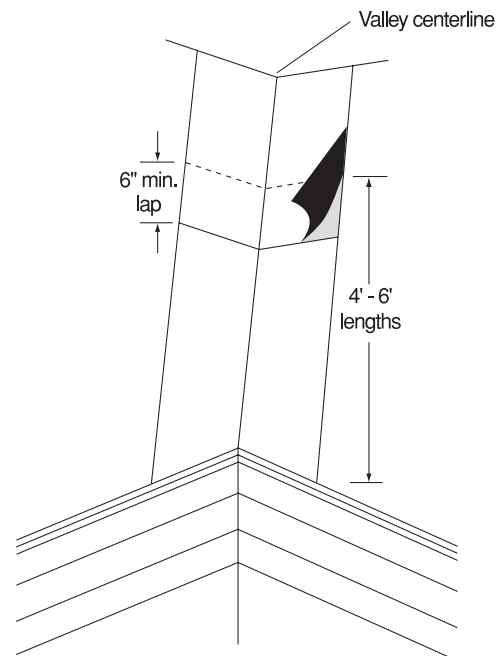
Figure 1
Moisture Guard Plus Field Application
Multiple Courses



When using Moisture Guard Plus over the entire roof deck the roof must include a system to provide adequate ventilation for all space immediately below the roof deck. Such ventilation system should be designed in accordance with architectural design standards appropriate to the size, nature and location of the structure and should include both ridge and soffit venting. For further information on providing adequate ventilation, contact your architect, building contractor, building materials supplier or TAMKO.

VALLEY FLASHING DETAIL

Figure 2
Valley flashing detail





MOISTURE GUARD *Plus*[®] The Ultimate Underlayment

TAMKO's new and improved self-adhering modified bitumen sheet for prevention of water penetration caused by wind-blown rain or ice damming.

FEATURES AND BENEFITS

- Mineral surfacing—provides enhanced skid resistance
- Strong fiberglass reinforcement—for added stability during installation
- Flexible SBS modified asphalt—seals tightly around nails to prevent water penetration
- Split plastic release film—for easier installation and handling
- Self-adheres—directly to plywood decks
- New palletizing—now vertically stacked for improved shipping and storage
- Meets ASTM D 1970 (except water absorption), ICC-ES Legacy Report ER-5870, ICC-ES Legacy Report 2137A, and is a U.L. Prepared Roofing Accessory

PRODUCT DATA*	1 Square	1.5 Square	2 Square
Thickness (mil)	60 mils	60 mils	60 mils
Roll size	100 sq. ft.	150 sq. ft.	200 sq. ft.
Roll dimensions	39 3/8" x 30' 6"	39 3/8" x 45'8"	39 3/8" x 61'
Rolls per pallet			
37" x 47"	40 rolls	30 rolls	24 rolls

*All values stated as nominal